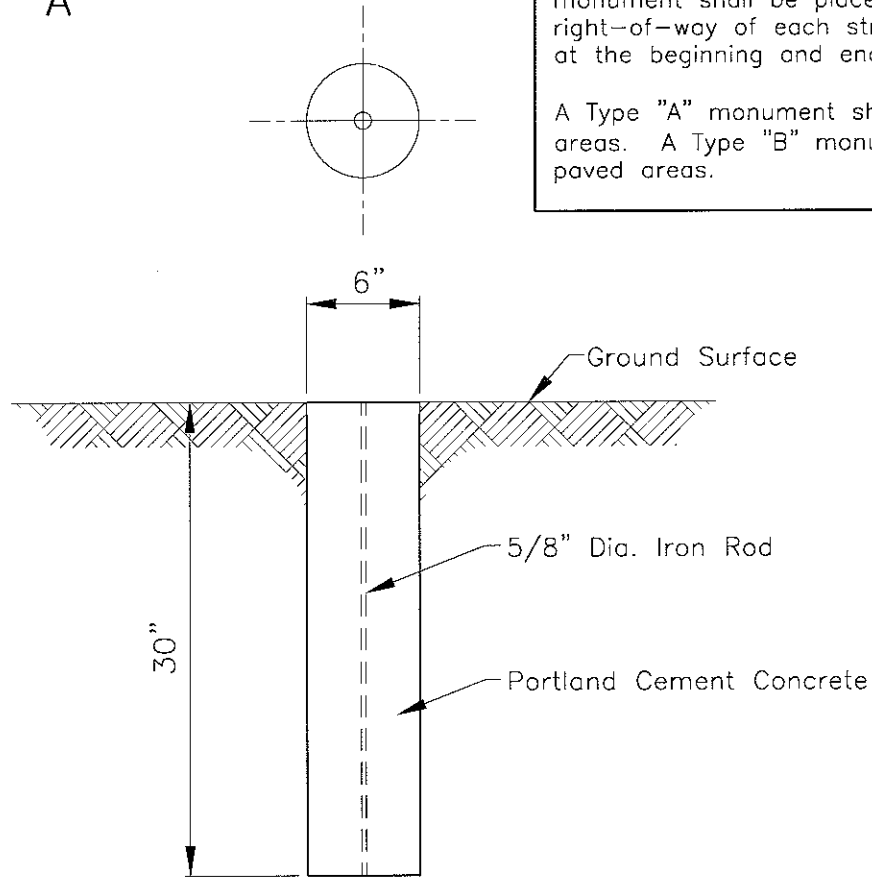


MONUMENT  
TYPE "A"



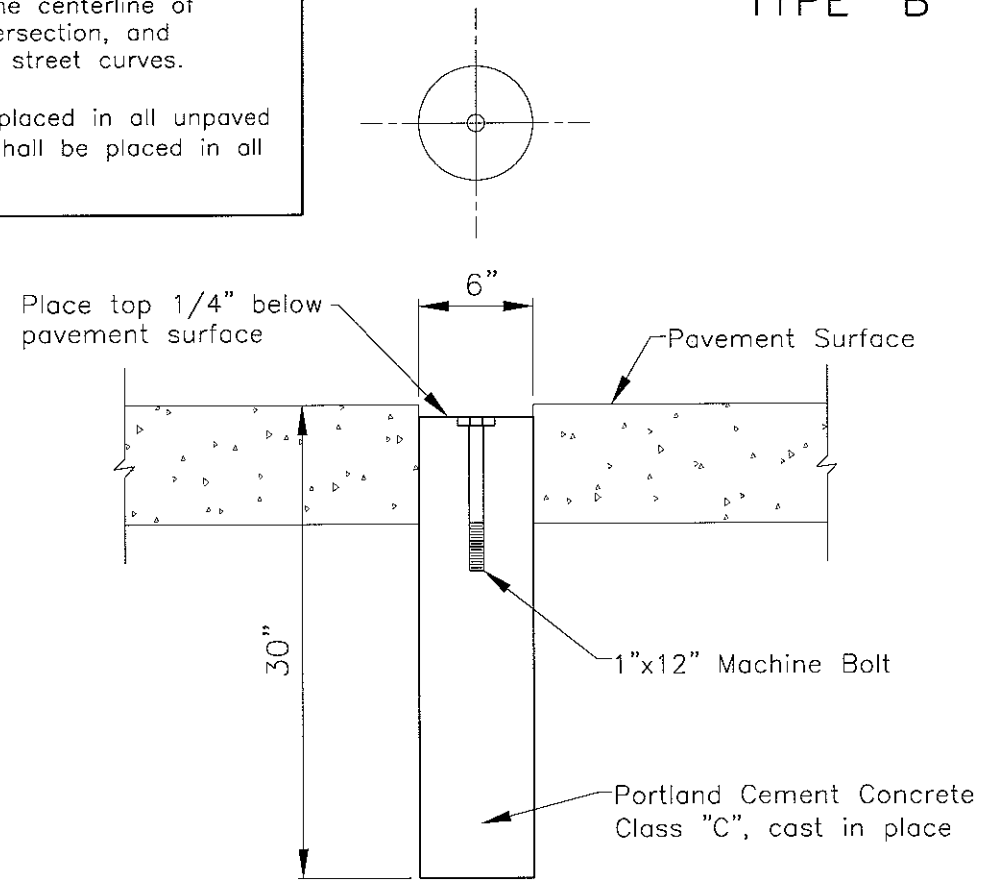
A cylindrical concrete marker six (6) inches in diameter and thirty (30) inches in length with a five-eighth (5/8) inch iron rod cast at the central axis of the cylinder. Said marker shall be placed in a vertical position with its top being level with the surface of the surrounding ground.

MONUMENTS

A monument shall be placed at each change in direction on the boundary of the plat, and one such monument shall be placed on the centerline of right-of-way of each street intersection, and at the beginning and end of all street curves.

A Type "A" monument shall be placed in all unpaved areas. A Type "B" monument shall be placed in all paved areas.

MONUMENT  
TYPE "B"



A cylindrical concrete marker as described under Type A except that a machine type iron bolt (without nut) of one (1) inch diameter by twelve (12) inches in length shall be placed in a vertical position with the head of the bolt upward and a quarter (1/4) inch below the level of the surface of the pavement. A point shall be marked on the head of the bolt to indicate the exact point referred to on the Final Plat.

WOOD COUNTY

(604) MONUMENT  
ASSEMBLY