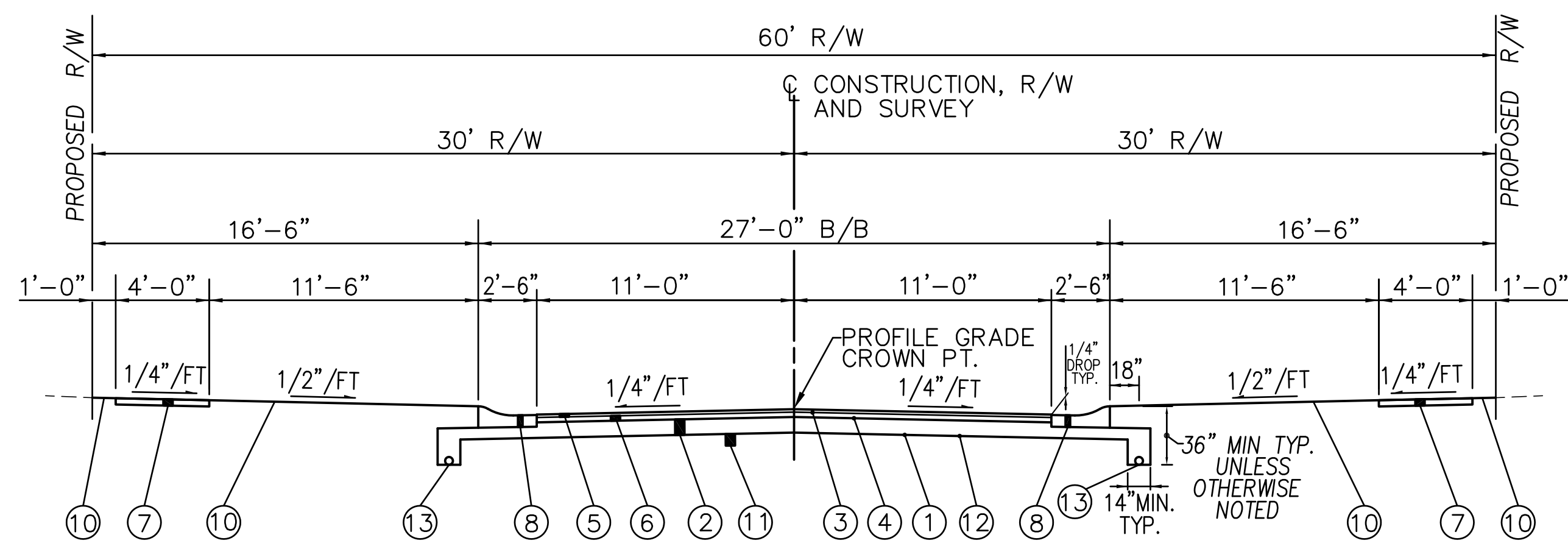
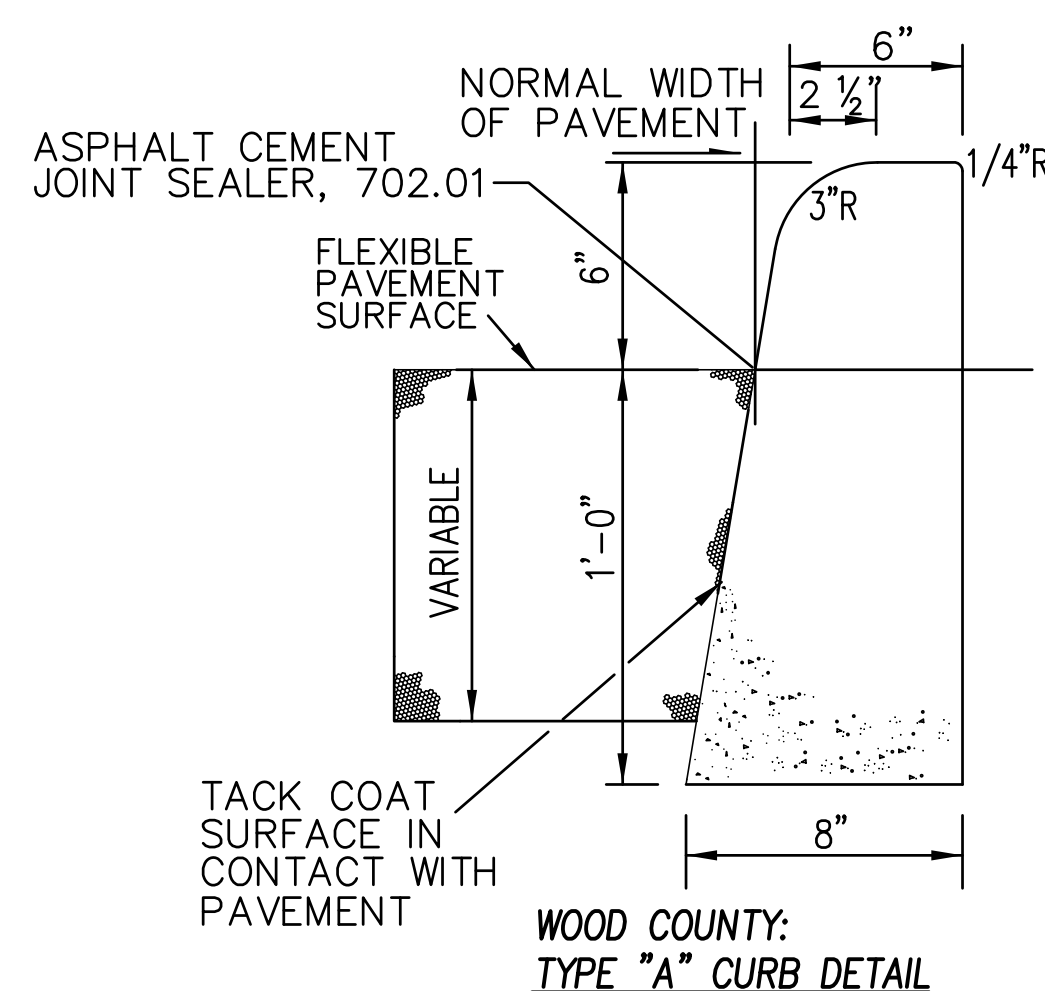


TYPICAL SECTIONS & DETAILS

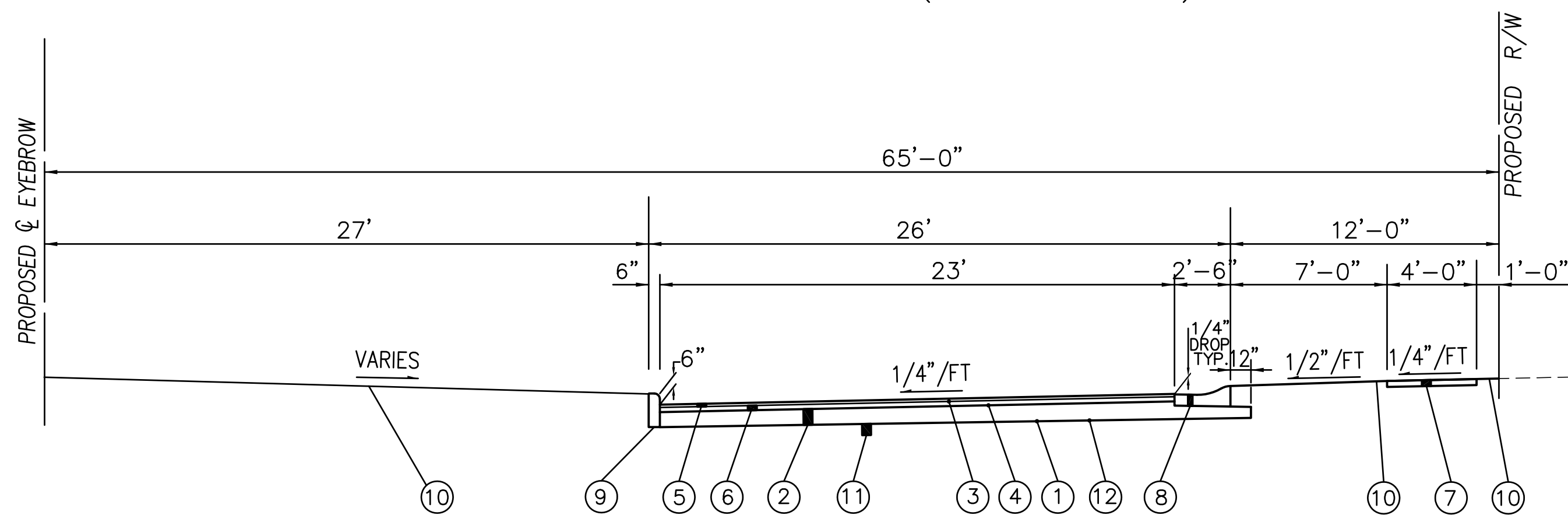


NORMAL TYPICAL SECTION

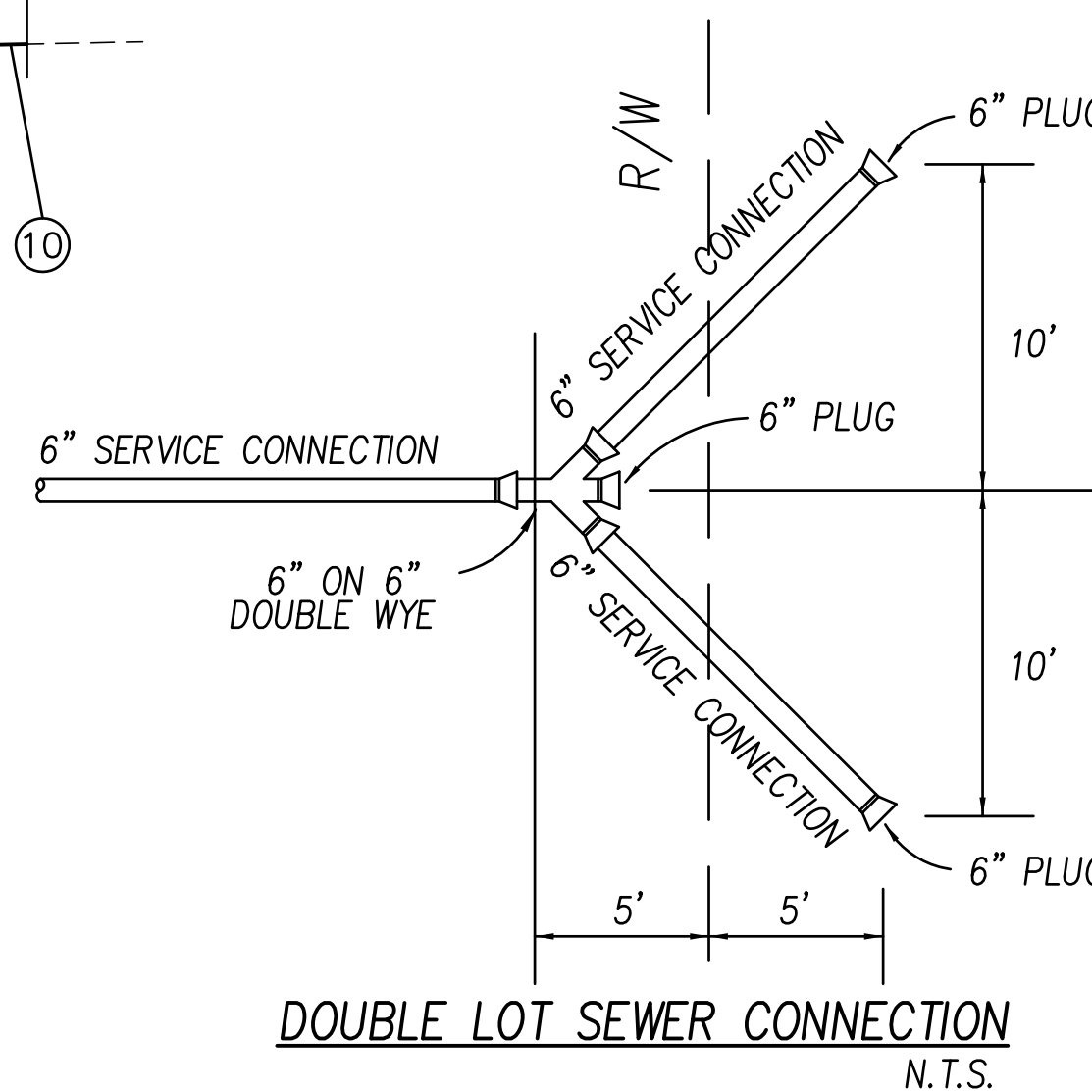
STA. 10+38.50 TO STA. 12+25.00 = 186.50 FT. (REDDINGTON COURT)
 STA. 13+89.97 TO STA. 14+52.93 = 62.96 FT. (REDDINGTON COURT)
 STA. 5+10.26 TO STA. 6+13.76 = 103.50 FT. (SADDLE HORN DRIVE)
 STA. 6+90.76 TO STA. 8+20.26 = 129.50 FT. (SADDLE HORN DRIVE)



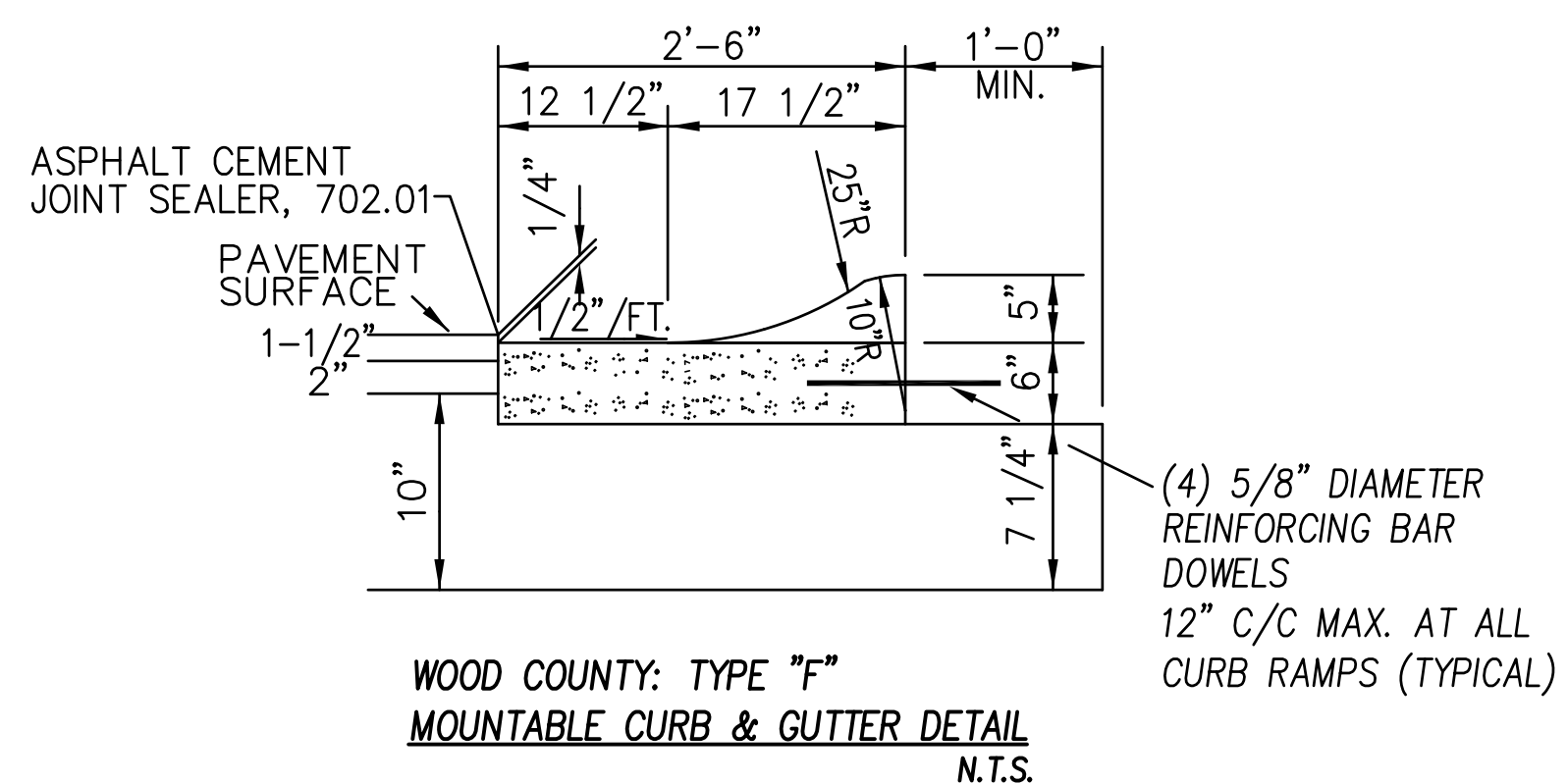
WOOD COUNTY: TYPE "A" CURB DETAIL



TYPICAL EYEBROW SECTION (REDDINGTON COURT)



DOUBLE LOT SEWER CONNECTION N.T.S.



WOOD COUNTY: TYPE "F" MOUNTABLE CURB & GUTTER DETAIL N.T.S.

PROPOSED LEGEND

- ① ITEM 204 - SUBGRADE COMPACTION
- ② ITEM 304 - 10" AGGREGATE BASE (2 COURSES)
- ③ ITEM 407 - TACK COAT FOR INTERMEDIATE COURSE (0.05 GAL./SY)
- ④ ITEM 408 - PRIME COAT (0.40 GAL./S.Y.)
- ⑤ ITEM 448 - 1 1/2" ASPHALT CONCRETE SURFACE COURSE, TYPE 1, PG 64-22
- ⑥ ITEM 448 - 2" ASPHALT CONCRETE INTERMEDIATE COURSE, TYPE 2, PG 64-22
- ⑦ ITEM 608 - 4" CONCRETE WALK, 6" AT DRIVES (BY OTHERS) (6" WALK AT DRIVE TO 1' BEYOND EDGE OF DRIVE)
- ⑧ ITEM 609 - COMBINATION CURB AND GUTTER, WOOD COUNTY TYPE "F"
- ⑨ ITEM 609 - CURB, WOOD COUNTY TYPE "A"
- ⑩ ITEM 659 - SEEDING, MULCHING AND COMMERCIAL FERTILIZER
- ⑪ ITEM 203 - REMOVE TOPSOIL AND REPLACE WITH SUITABLE EXCAVATED MATERIAL FROM THE SITE, COMPACT TO 100% STANDARD PROCTOR
- ⑫ ITEM 204 - GEOTEXTILE FABRIC (SUBGRADE IMPROVEMENT - CONTINGENCY)
- ⑬ ITEM 605 - 6" SHALLOW PIPE UNDERDRAINS, 56' (50' U.D. & 6' TYPE F) EACH SIDE OF CB'S, 707.31 & 707.33

GENERAL SUMMARY

PLAT XVII					
ODOT ITEM	ESTIMATED QUANTITY	CONTINGENCY QUANTITY	TOTAL	UNIT	ROADWAY DESCRIPTION
201	1		1	LS	CLEARING AND GRUBBING
202	25		25	FT	GUARDRAIL BARRICADE REMOVED FOR REUSE
203	1407		1407	CY	EXCAVATION (WITHIN R/W & DRAINAGE EASEMENTS)
203	1929		1929	CY	EMBANKMENT (WITHIN R/W & DRAINAGE EASEMENTS)
204	2838		2838	SY	SUBGRADE COMPACTION
204	2		2	HR	PROOF ROLLING
204		2838	2838	SY	GEOTEXTILE FABRIC (TENSAR SS-1)
204		473	473	CY	GRANULAR MATERIAL, TYPE B (6" - 304)
204		473	473	CY	GRANULAR MATERIAL, TYPE E (6" - No. 1's & No. 2's)
304	790		790	CY	AGGREGATE BASE
407	120		120	GAL	TACK COAT FOR INTERMEDIATE COURSE
408	962		962	GAL	PRIME COAT
448	134		134	CY	ASPHALT CONCRETE, INTERMEDIATE COURSE, TYPE 2, PG 64-22 (448)
448	100		100	CY	ASPHALT CONCRETE, SURFACE COURSE, TYPE 1, PG 64-22 (448)
606	25		25	FT	GUARDRAIL BARRICADE
606	25		25	FT	GUARDRAIL BARRICADE REBUILT
608	6342		6342	SF	4" & 6" CONCRETE WALK (BY OTHERS)
608	6		6	EACH	CURB RAMPS, AS PER PLAN (BY OTHERS)
609	167		167	FT	CURB, (TYPE "A" WOOD COUNTY)
609	1559		1559	FT	COMBINATION CURB AND GUTTER, (TYPE "F" WOOD COUNTY)
623	3		3	EACH	MONUMENT ASSEMBLY (WOOD CO. "B" AT STREET INTERSECTIONS)
DRAINAGE					
605	400*	1159	1559	FT	6" SHALLOW PIPE UNDERDRAINS, 707.31
611	466		466	FT	6" CONDUIT, TYPE B
611	56		56	FT	6" CONDUIT, TYPE C (FOR DBL. WYES)
611	152		152	FT	6" CONDUIT, TYPE C
611		50	50	FT	6" CONDUIT, TYPE E
611	48		48	FT	6" CONDUIT, TYPE F, 707.33 (6' EACH SIDE TYPE A-3 CB)
611	117		117	FT	12" CONDUIT, TYPE B
611	622		622	FT	12" CONDUIT, TYPE C
611	100		100	FT	15" CONDUIT, TYPE B
611	424		424	FT	15" CONDUIT, TYPE C
611	100		100	FT	24" CONDUIT, TYPE C
611	3		3	EACH	REAR YARD CATCH BASIN, TYPE 2-2B
611	4		4	EACH	CATCH BASINS, (TYPE A-3 w/ NEENAH R-3501 WOOD COUNTY)
611	3		3	EACH	MANHOLE, NO. 3, WITH 48" BASE
611	2		2	EACH	MANHOLE, NO. 3 WITH 60" BASE
630	14.5		14.5	FT	STREET NAME SIGN SUPPORT, NO. 3 POST, SQUARE (BY WOOD COUNTY)
630	6.25		6.25	SF	SIGN, FLAT SHEET, TYPE G SHEETING, AS PER PLAN (BY WOOD COUNTY)
STORM WATER QUALITY					
202	93		93	FT	PIPE REMOVED FOR REUSE, OVER 24"
202	2		2	EACH	HEADWALL REMOVED
601	53		53	CY	ROCK CHANNEL PROTECTION, TYPE C WITH FABRIC
611	93		93	CY	36" CONDUIT, TYPE C
611	2		2	EACH	WATER QUALITY BASIN, AS PER PLAN
EROSION CONTROL					
659	6335		6335	SY	SEEDING AND MULCHING (R/W, SWALES, EASEMENTS, ETC)
659		17200	17200	SY	SEEDING AND MULCHING (TEMPORARY BETWEEN R/W AND REAR/SIDE YARD EASEMENTS)
659	2.12		2.12	TON	COMMERCIAL FERTILIZER (12-12-12) 20 LBS./1000 S.F.
659	63.5		63.5	MGAL	WATER (300 GAL/1000 SF)
832	1797	500	2297	FT	EROSION CONTROL, PERIMETER FILTER FABRIC FENCE
832	128		128	FT	EROSION CONTROL, YARD DRAIN SEDIMENT BARRIER
832	6		6	EACH	EROSION CONTROL, CURB INLET SEDIMENT BARRIER
832	26		26	CY	EROSION CONTROL, CONSTRUCTION ENTRANCE
832	1		1	EACH	CONCRETE WASHOUT
OTHER					
614	1		1	LS	MAINTAINING TRAFFIC
624	1		1	LS	MOBILIZATION
SPECIAL	1		1	LS	SUBDIVISION IMPROVEMENT MAINTENANCE BOND
103.05	1		1	LS	PERFORMANCE BOND

ALL TEES, WYES & PLUGS ARE TO BE INCLUDED IN THE APPROPRIATE PIPE ITEMS.
 NONE OF THE CONTINGENCY QUANTITIES SHALL BE ORDERED BY THE CONTRACTOR UNTIL AUTHORIZED BY THE ENGINEER AND APPROVED BY THE OWNER.
 * THIS QUANTITY FOR UNDERDRAINS SHALL BE TO INSTALL 50' EACH WAY FROM CURB INLETS ACCORDING TO ODOT SPECIFICATIONS.