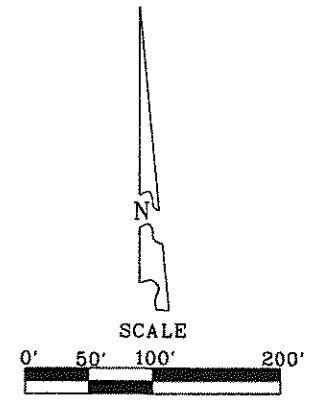
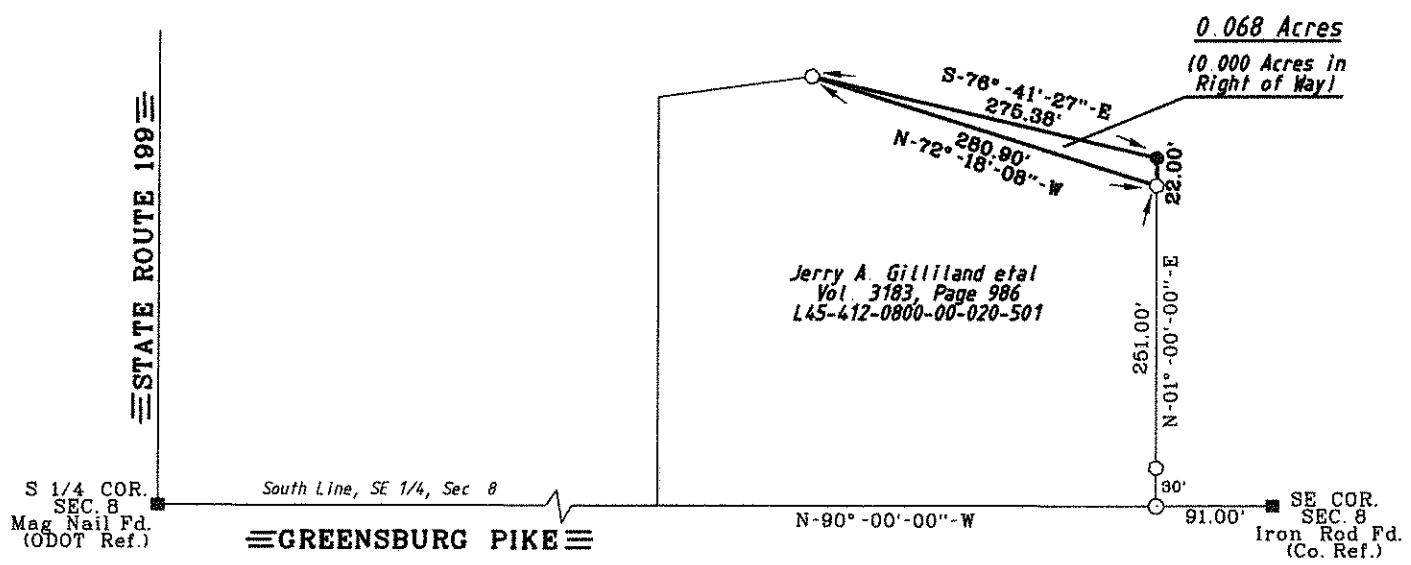


Montgomery
B
481

SURVEY FOR: JERRY GILLILAND

SE 1/4 SECTION 8
T-4-N, R-12-E
MONTGOMERY TOWNSHIP, WOOD CO., OHIO

Franklin D. Gilliland
Vol. 3183, Page 990
L45-412-0800-00-020-500



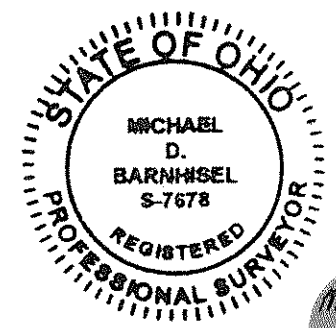
- LEGEND
- - Capped 5/8" Iron Rod Set
 - - Capped Iron Rod Found Stamped "BARNHISEL S-7678"
 - - P.K. Nail Set
 - - P.K. Nail Found

I HEREBY CERTIFY THIS SURVEY TO BE CORRECT AND TRUE TO THE BEST OF MY KNOWLEDGE.

Michael D. Barnhisel
MICHAEL D. BARNHISEL
REG. SURVEYOR #S-7678
DATE 6-27-13

The bearings referred to herein are based upon an assumed meridian and are used only for the purpose of angular measurement.

(60' Record Right of Way as per Wood Co., Engineer's Office)



Montgomery
B
481