

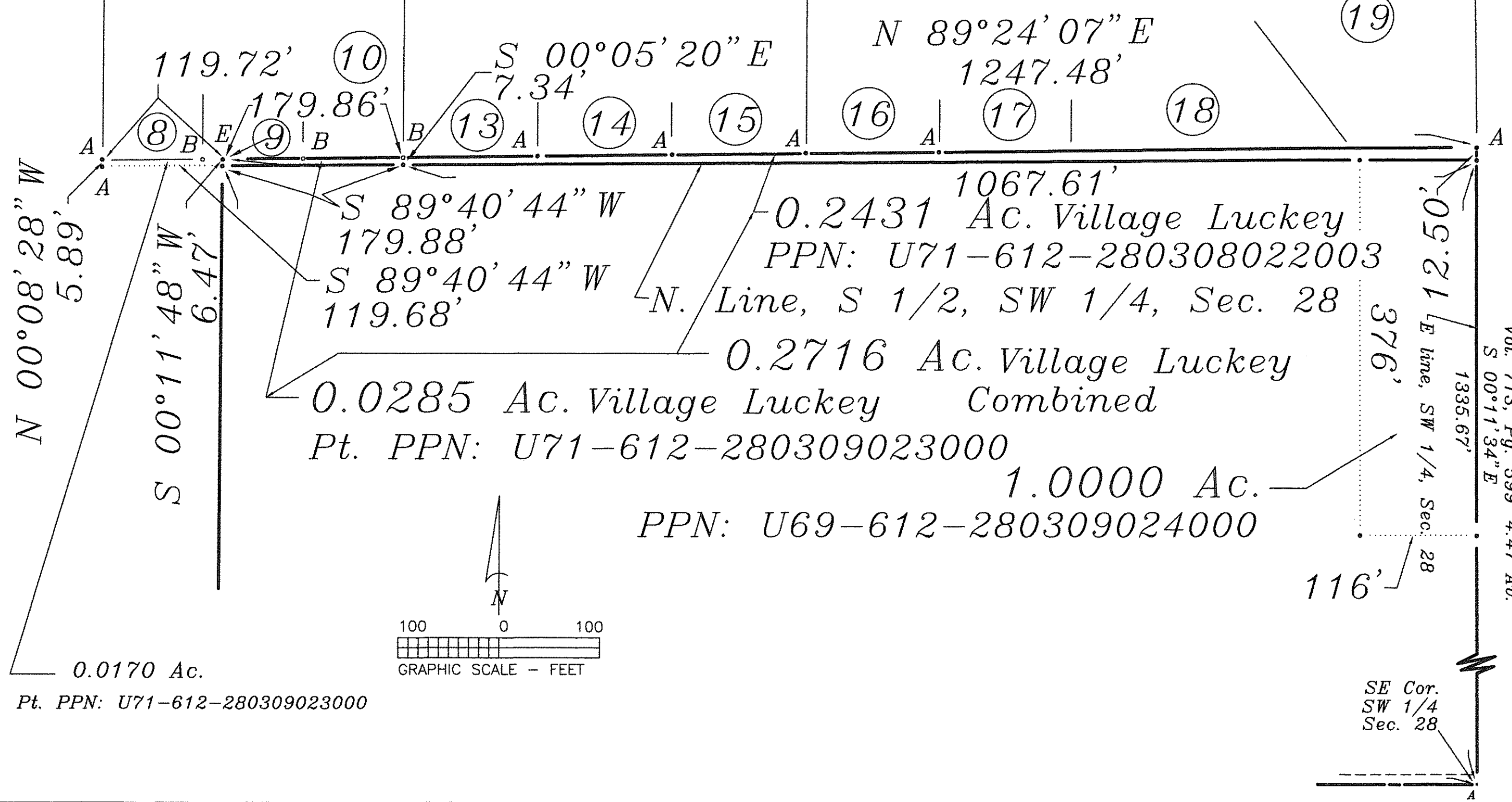
Troy
A
672

2

Welling Add.
PB 13, Pg. 48

Hoelter Add. Ph. 2
PB 21, Pg. 758

Hoelter Add. Ph. 3
PB 22, Pg. 208



119.72' (10)

S 00°05'20" E
7.34'

N 89°24'07" E
1247.48'

(19)

(8) B E (9) B

(13) A (14) A (15) A

(16) A (17) (18)

A

N 00°08'28" W
5.89'

S 00°11'48" W
6.47'

S 89°40'44" W
179.88'
S 89°40'44" W
119.68'

1067.61'
0.2431 Ac. Village Luckey
PPN: U71-612-280308022003
N. Line, S 1/2, SW 1/4, Sec. 28

0.2716 Ac. Village Luckey
0.0285 Ac. Village Luckey Combined
Pt. PPN: U71-612-280309023000

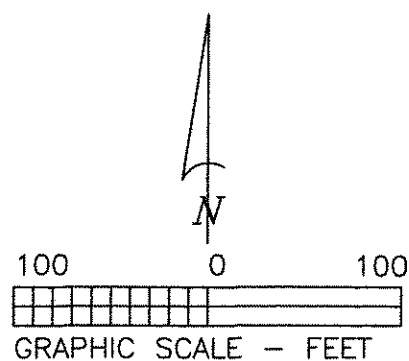
1.0000 Ac.
PPN: U69-612-280309024000

376'
1335.67'
105.21' E line, SW 1/4, Sec. 28

Greg & Lisa J. Whitacre
Vol. 713, Pg. 599 4.47 Au.
S 00°11'34" E

116'

SE Cor.
SW 1/4
Sec. 28



0.0170 Ac.

Pt. PPN: U71-612-280309023000

Troy
A
672